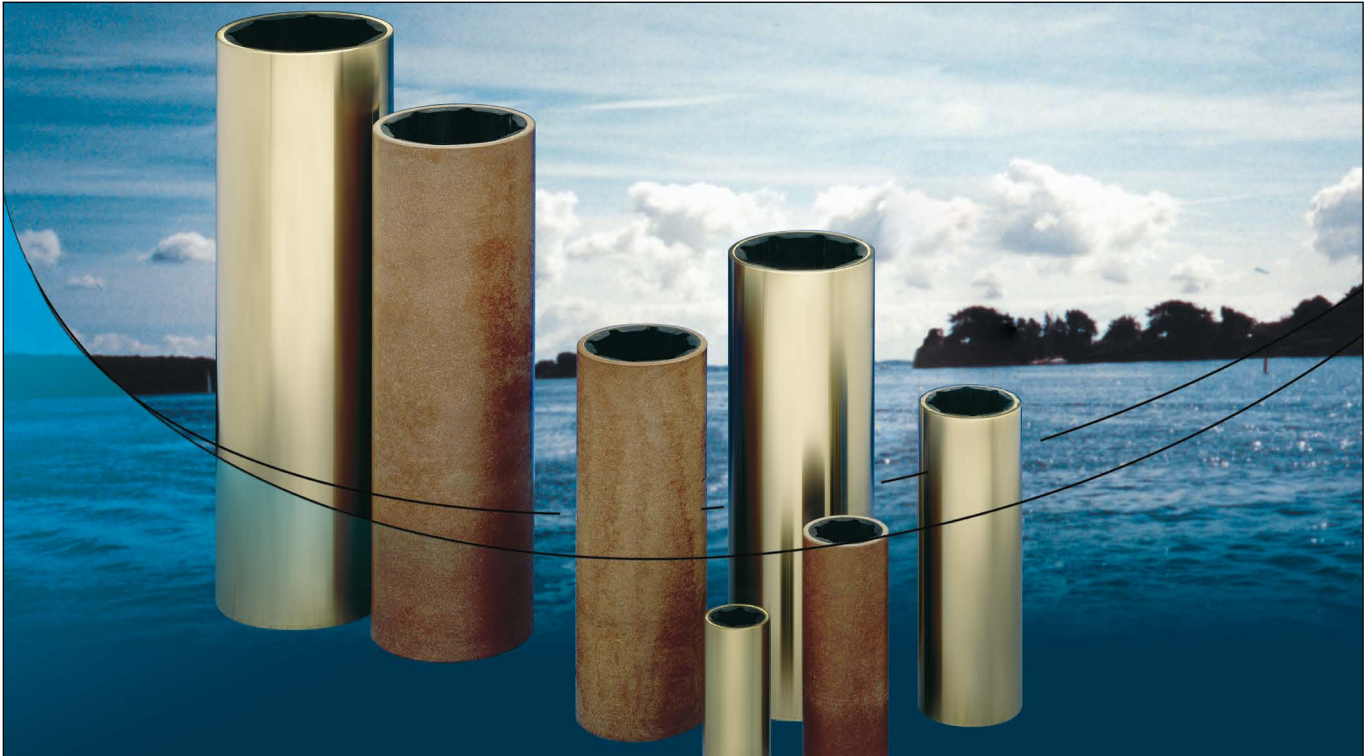


Gummi-Wellenlager Rubber Shaft Bearing



Technische Merkmale:

- Gleichbleibend höchste Gummiqualität
- Extrem passgenau durch Schleifen des Innendurchmessers
- Geringe Reibungsverluste
- Geringer Wellenverschleiß
- Lange Lebensdauer
- Große Laufruhe und hohe Dämpfung von Vibrationen
- Sonderausführung: Geteiltes Lager, zum Austausch ohne Ziehen der Welle
- Flansch- und Sonderausführungen sowie austauschbare Stablager auf Anfrage
- Standardausführung in seewasserbeständigem Marinemessing oder Kunststoff; andere Buchsenmaterialien auf Anfrage

Einsatzgebiete:

- Kommerzieller und militärischer Schiffbau
- Sportschifffahrt
- Schiffsbagger
- Pumpen und Wasserkraftwerke

Technical Features:

- Constant best rubber quality
- Extreme accurate fitting due to grinding of inner diameter
- Low friction losses
- Low shaft wearing
- Long lifetime
- Running smoothness and high absorption of vibration
- Special application: split bearing for changing without pulling the shaft
- Flange and customized bearings on request
- Standard material is marine brass or GRP; alternative materials on request

Applications:

- Civil and naval ship building
- Yachts and sport boats
- Work boats
- Pumps and water power stations

Rubber Shaft Bearing

Remarks:

- Silvertown bearings are accepted by all major classification societies
- standard metric series recommended for new installations
- for special applications split version, spiral flutes and interchangeable stave bearings are available
- bearings available to suit shafts up to more than 1000 mm

Metric Series (mm)

Shaft diameter A	Outside diameter B	Length C	Sleeve S
20	35	80	2.4
22	35	88	2.4
25	40	100	2.4
28	42	112	2.8
30	45	120	2.6
32	45	128	2.6
35	50	140	2.0
38	55	152	3.8
40	55	160	3.8
42	60	168	3.0
45	65	180	2.3
50	70	200	2.3
55	75	220	3.8
60	80	240	3.3
65	85	260	3.8
70	90	280	2.3
75	95	300	4.0
80	100	320	4.2
85	105	340	4.2
90	110	360	4.2
95	115	380	4.2
100	125	400	3.6
105	130	420	3.6
110	135	440	4.8
115	145	460	5.0
120	155	480	6.0

Different sizes on request.

Imperial Series (mm)

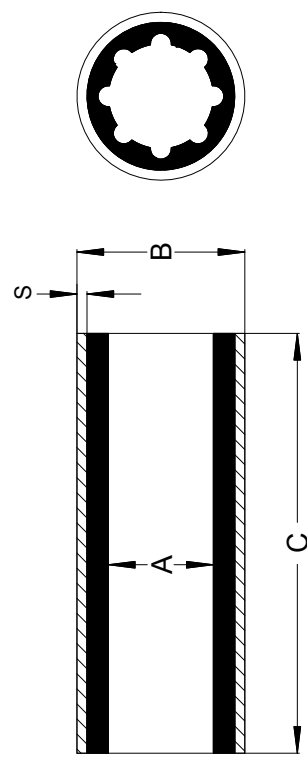
Shaft diameter A	Outside diameter B	Length C	Sleeve S
1"	1.1/4"	4"	0.06"
1"	1.1/2"	4"	0.09"
1.1/4"	1.1/2"	5"	0.06"
1.1/4"	1.3/4"	5"	0.09"
1.1/2"	2"	6"	0.09"
1.1/2"	2.3/8"	6"	0.13"
1.3/4"	2.3/8"	7"	0.13"
1.3/4"	2.5/8"	7"	0.13"
2"	2.5/8"	8"	0.13"
2"	3"	8"	0.13"
2.1/4"	3"	9"	0.13"

Different sizes on request.

Mixed Metric Series (mm)

Shaft diameter A	Outside diameter B	Length C	Sleeve S
25	1.1/2"	100	2.4
30	1.3/4"	120	2.4
32	1.3/4"	128	2.4
35	1.7/8"	140	2.4
38	2"	152	2.4
40	2.1/8"	160	3.2
45	2.3/8"	180	3.2
50	2.5/8"	200	3.2
55	2.7/8"	220	2.5
60	3"	240	3.2

Different sizes on request.



Tolerances:

- inner diameter precision ground for optimum lubrication when fitted with shafts h9
- water clearance 0,1 mm per 100 mm shaft diameter (please notify if other clearances are requested)
- outside diameter up to 155 mm machined to ISO p6